

PRODUCT BULLETIN

New Greenskies solar pump stations and controllers

The introduction of 5 new pump stations and 2 controllers has added more flexibility to the Greenskies solar offering.

Pump stations

The pump stations are available as single or dual line options. The AGS5E and AGS10E single line stations provide a cost effective solution for up to 5 collectors and 6 to 10 collectors respectively. For applications which require a twin line pump station the AGS5 and AGS10 also incorporate an in-line air separator for easier servicing and can be combined with the corresponding single line station for East/West split applications.

The AGS5 is also available with a TDS100 integrated modulating controller which saves installation time and eliminates the need for additional space for a separate controller.

Controllers

The new controllers are designed to provide comprehensive, yet easy to operate programming and have the added advantage of being suitable for use with evacuated tube collectors.

The TDS100 features 3NTC sensor inlets and a clear LCD graphic display with a pictogram menu. The controller can also control the modulation of the pump station to save energy consumption.

The TDS300 is a multi-function, modulating controller which is suitable for use with a wide range of system configurations, including East/West splits and properties with swimming pools. It incorporates 8 NTC sensor inlets and a scrollable full text menu with 27 pre-figured systems with display pictograms.

New Worcester pump station range



AGS5E and AGS10E
Single Line
Pump Stations



AGS5 and AGS10
Dual Line Pump Stations



AGS5 Dual Line Pump
Station with integrated
TDS100 Controller

Product	Part number	Feature	Benefit
AGS5E	7 747 009 456	Single line pump station that can handle up to 5 collectors.	Cost effective solution for up to 5 panel systems. Can be combined with a twin line pump station.
AGS10E	7 747 009 427	Single line pump station that can handle up to 10 collectors.	Cost effective solution for up to 10 panel systems. Can be combined with a twin line pump station.
AGS5	7 747 009 442	Twin line pump station with in-line air separator for up to 5 collectors.	Aesthetically pleasing design and easier to service. Suitable for a greater range of applications.
AGS10	7 747 009 420	Twin line pump station with in-line air separator for up to 10 collectors.	Aesthetically pleasing design and easier to service. Suitable for a greater range of applications.
AGS5 & TDS100	7 747 008 776	Modulating twin line pump station for up to 5 collectors with integrated controller.	Space saving and easier installation for up to 5 collectors.

New Worcester solar controllers



TDS100 Solar Controller



TDS300 Solar Controller

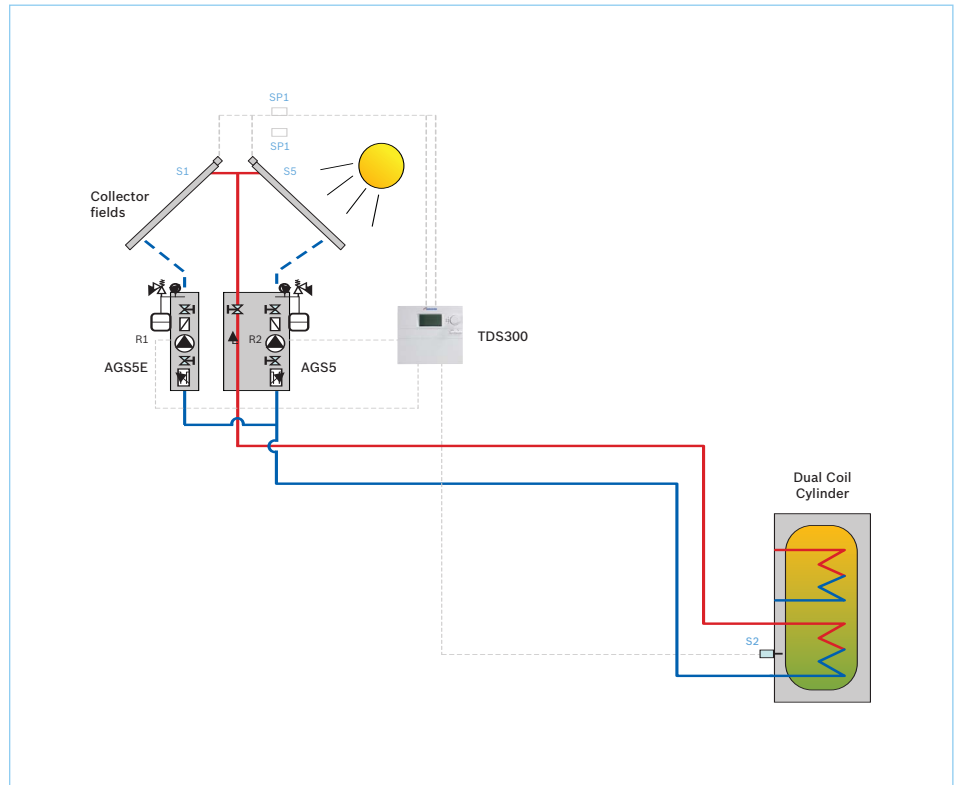
Product	Part number	Feature	Benefit
TDS100	7 747 004 420	Pictorial menus with evacuated tube mode and pump zone modulation.	Easy to use commission controller with enhanced functionality and pump modulation.
TDS300	7 747 004 427	Scrollable text menus, 27 system options, pump zone modulation and evacuated tube mode.	Advanced system configurations, including East/West split, swimming pool options and pump modulation.

East/West split systems

The introduction of the new pump stations and controllers presents the opportunity for Greenskies to be used for East/West split systems where a south facing roof is not available.

A typical East/West system requires a common flow and separate return, effectively meaning that there are two pumped circuits in operation. The East side being mostly in operation in the morning, with the West side operating in the afternoon as the sun moves across the sky.

As a result, a typical East/West split (see diagram) requires 2 pump stations, a TDS300 solar controller, an additional collector sensor and expansion vessel. The table below shows the components and part numbers required for a Greenskies portrait FKC 2 panel on-roof system for an East/West split system.



Greenskies product	Part number	Standard quantity	Additional quantity required
FKC-1S Solar Panel	7 747 025 748	2	–
WFT25 Solar Fluid 25L	7 739 300 057	1	–
FKA5 Roof Bar Kit	7 739 300 440	1	1
AAS1 Expansion Vessel Connector	7 739 300 331	1	1
FS55 Collector Connector FKC On-Roof	7 747 002 438	1	1
SAG25 Expansion Vessel 25L	7 739 300 119	1	1
FKA3 Solar Roof Hook Kit	7 739 300 436	2	–
ELT5 Air Vent Kit FKC	7 739 300 432	1	1
Collector Sensor	7 747 009 880	–	1
AGS5 Pump Station	7 747 009 442	–	1
AGS5E Pump Station	7 747 009 456	–	1
TDS300 Controller	7 747 004 427	–	1

Bold text denotes new products